

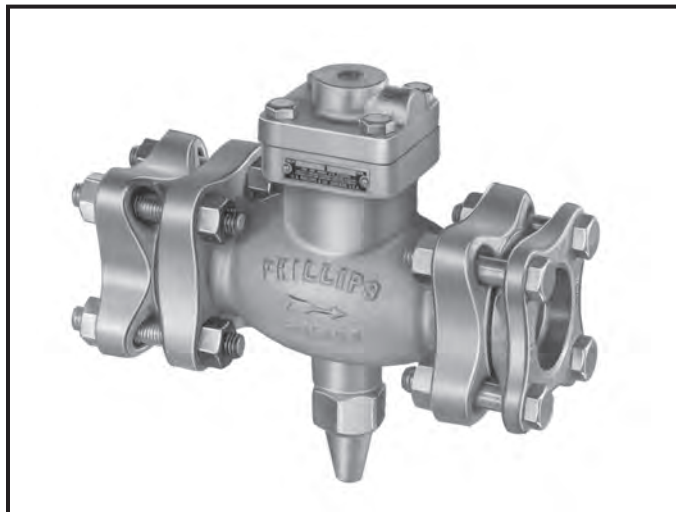
FLANGED, IN-LINE PISTON TYPE

Size: 1/2" through 3"

For Ammonia (R-717) and Halocarbon Refrigerants

Features

- **Pressure Rating: 300PSI (-20°F – +240°F)**
- **ASTM A536 Gr. 65-45-12 Ductile Iron Body and Bonnet**
- **Spring Closing**
- **Available with an Array of Differential Springs**
- **Manual Opening Stem**
- **Teflon Seat Disc**



Description

The 700X series flanged in-line piston type check valves are spring closing and can be supplied with a 2, 5, 10, 20, 35, 50, 60 and 70 pound differential spring to suit your application. They have a manual lifting stem and replaceable teflon seat disc.

The series 700X check valves prevent reverse flow of refrigerant in suction, hot gas and liquid lines. These valves are applicable for reciprocating compressor discharge line service, refrigerant pump discharge and suction line service and can be applied as a hot defrost relief valve. These valves can also be applied as the outlet check valve for various liquid transfer systems.

Design Function

The series 700X check valve is normally closed, spring actuated. When the refrigerant mass flow is sufficient to create a pressure drop across the valve to overcome the force of its closing spring, the disc is forced away from its seat, permitting flow. As the mass flow decreases, the pressure drop across the disc will decrease and the disc will be forced back against its seat by the closing spring.

SPRING TABLE

PSI DIFF	SPRING NUMBERS			
	700JRX	700X	700A & AX	700B & BX
2	705-1L	705-5L	705A2L	705B3L
5	705-5L	705-10L	705A10L	705B10L
10	705-10L	705-20L	705A20L	705B30L
20	705-20L	705-35L	705A30L	705B60L
35	705-35L	705-60L	705A60L	--
50	705-50L	705-90L	--	--
60	705-60L	--	--	--
70	705-70L	705-130L	705-110L	--

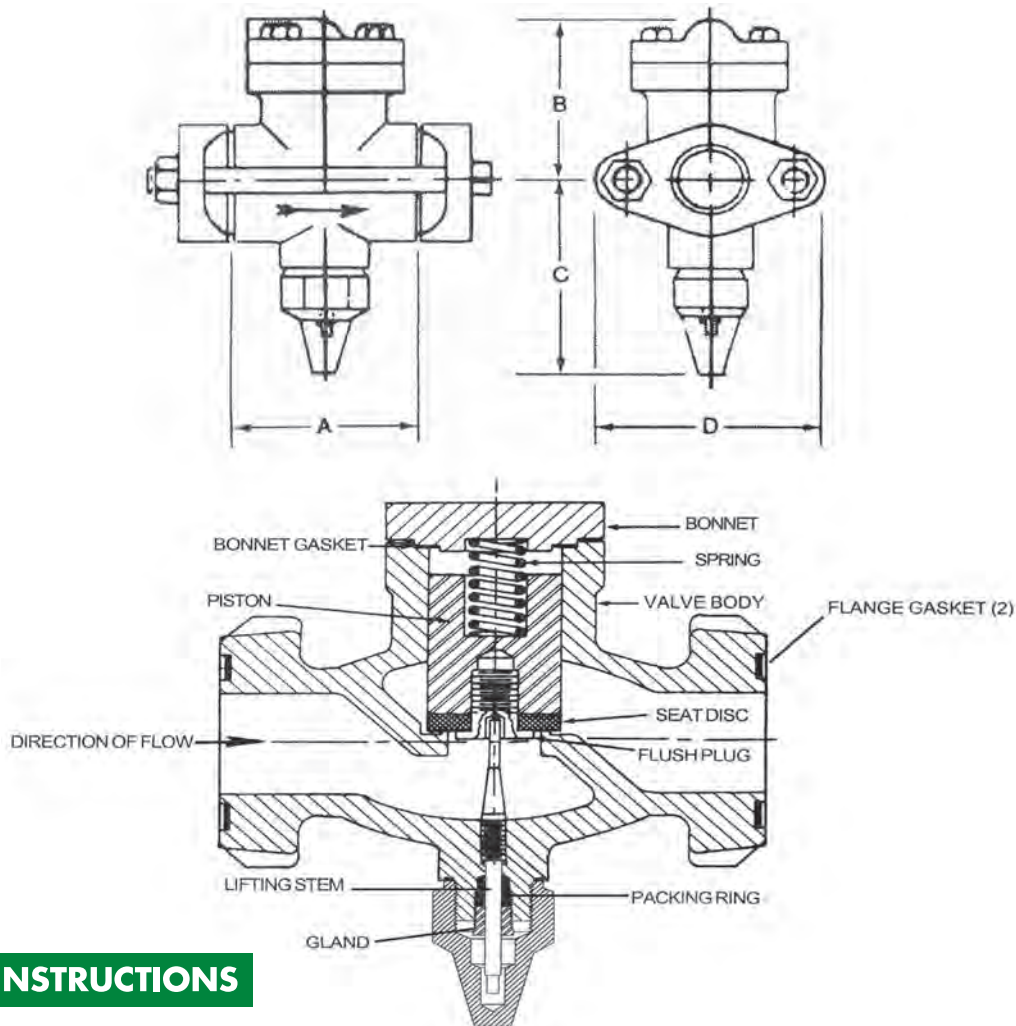
The spring setting of the valve is indicated on the name plate by the number appearing after the check valve number. For example: a 700X check valve having a 10 psi opening pressure spring setting will be indicated this way on the name plate: 700X10.

Series 700X Check Valve

DIMENSION CHART

Valve No.	A	B	C	D	Orifice	Flanges			
						Flange Shape	Flange Sizes	Bolts	
								No.	Size
700JRX	3-1/2	3-3/4	4-1/2	4-1/8	3/4	Oval	1/2, 3/4, 1-1/8, 1-3/8	2	1/2
700X	4	3-3/4	4-1/2	5	1	Oval	1, 1-1/4, 1-5/8	2	5/8
700AX	9	4-3/4	5-1/2	4-3/4	1-1/2	Square	1-1/2, 2, 2-1/8	4	5/8
700BX	10	6-1/4	7	6	2-1/4	Square	3, 3-1/8	4	3/4

All dimensions in inches.



ORDERING INSTRUCTIONS

Specify:

- 1) Valve number and spring setting.
- 2) Flange type and size or less flanges.

H. A. Phillips & Co.

770 Enterprise Avenue
DeKalb, IL 60115 U.S.A.
Phone: (630) 377-0050
Fax: (630) 377-2706

