

This publication is intended as a reference guide to assist customers in identifying replacement parts for some common valves. (Many special application valves are not included in this document.) Because some valves may have been modified in the field, replacement part numbers should always be confirmed by a Phillips representative using the valve serial number. Valve components for new applications should always be determined with the appropriate Phillips Engineering Bulletin, or with the assistance of a Phillips representative.

ALWAYS CHECK THE VALVE NAMEPLATE FOR THE COMPLETE VALVE MODEL AND SERIAL NUMBER

101 SERIES FLOAT VALVES

Includes

101 101A 101AB
101B 101CPS 101VP18, VP26

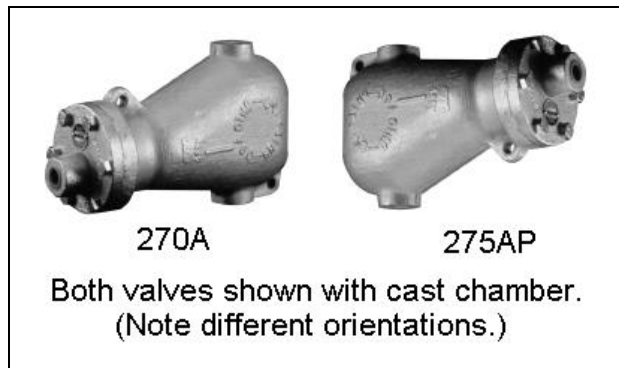


101A	F	-M	L	Z
Base Valve Model				
REFRIGERANT TYPE (BLANK) = Ammonia F = Halocarbon				
ORIFICE				
B = 5/64"	M = 1/4"			
C = 3/32"	O = 5/16"			
E = 7/64"	P = 3/8"			
F = 1/8"	R = 7/16"			
G = 9/64"	S = 1/2"			
H = 5/32"	U = 5/8"			
I = 3/16"				
ORIENTATION				
L = Left Hand Flow				
R = Right Hand Flow				
CHAMBER				
B = Welded Steel Chamber				
Z = No Chamber				

270 SERIES FLOAT VALVES

Includes

270A 270AX 270AY
270AZ, AZAZ 275AF 275AP



270AX	F	-J	Z	B
Base Valve Model				
REFRIGERANT TYPE (BLANK) = Ammonia F = Halocarbon P = Propane				
ORIFICE				
A = 1/16"	I = 3/16"			
B = 5/64"	J = 13/64"			
C = 3/32"	L = 15/64"			
D = 3/32D	P = 3/8"			
F = 1/8"				
(PLACE HOLDER)				
CHAMBER				
A = Cast Iron Chamber				
B = Welded Steel Chamber				
Z = No Chamber				

300 SERIES FLOAT VALVES

Includes

300A	300H	300AM
300HM	301A	301D
301E	301J	301K



300HM	F	-J	Z	B
Base Valve Model				
REFRIGERANT TYPE				
(BLANK) = Ammonia				
F = Halocarbon				
P = Propane				
ORIFICE				
B = 5/64"		G = 9/64"		
C = 3/32"		H = 5/32"		
D = 3/32D		I = 3/16"		
E = 7/64"		K = 7/32"		
F = 1/8"		N = 9/32"		
(PLACE HOLDER)				
CHAMBER				
B = Welded Steel Chamber				
Z = No Chamber				

700X SERIES PISTON-TYPE CHECK VALVES

Includes

700A	700AX	700B
700BX	700JRX	700X



700AX	10	-Q	M
Base Valve Model			
CRACKING PRESSURE			
(BLANK) = 2 PSID			
2 = 2 PSID		50 = 50 PSID	
5 = 5 PSID		60 = 60 PSID	
10 = 10 PSID		70 = 70 PSID	
20 = 20 PSID		90 = 90 PSID	
35 = 35 PSID			
SPRING			
B = 705-1L		S = 705A-60L	
C = 705-5L		T = 705A-110L	
D = 705-10L		V = 705A-165L	
E = 705-20L		A3 = 705B-3L	
F = 705-35L		A4 = 705B-10L	
I = 705-60L		A6 = 705B-30L	
K = 705-90L		A7 = 705B-60L	
M = 705-130L		A8 = 705B-100L	
O = 705A-2L		A9 = 705B-160L	
P = 705A-10L		C8 = 705-50L	
Q = 705A-20L		C9 = 705-70L	
R = 705A-30L			
FLANGES			
A=1/2" FPT		J=1-1/4" SW	S=2" WN
B=1/2" SW		K=1-1/4" WN	T=2-1/8" ODC
C=3/4" FPT		L=1-1/2" FPT	U=3" FPT
D=3/4" SW		M=1-1/2" SW	V=3" SW
E=1" FPT		N=1-1/2" WN	W=3" WN
F=1" SW		O=1-3/8" ODC	X=3-1/8" ODC
G=1" WN		P=1-5/8" ODC	Z=None
H=1-1/8" ODC		Q=2" FPT	
I=1-1/4" FPT		R=2" SW	

600 SERIES IN-LINE CHECK VALVES

Includes

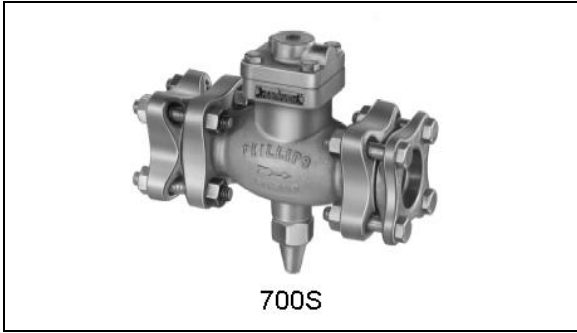
600AJ	600AK, AKS	600BJ, BJS
600D2	600D3	600DJ, DJS
600J	600JR	600K, KS



600AK	S	-Z	M
Base Valve Model			
SPRING			
(BLANK) = Standard Spring			
S = Heavy Spring			
(Not Suitable For Gravity Drain)			
(PLACE HOLDER)			
FLANGES			
A=1/2" FPT		J=1-1/4" SW	S=2" WN
B=1/2" SW		K=1-1/4" WN	T=2-1/8" ODC
C=3/4" FPT		L=1-1/2" FPT	U=3" FPT
D=3/4" SW		M=1-1/2" SW	V=3" SW
E=1" FPT		N=1-1/2" WN	W=3" WN
F=1" SW		O=1-3/8" ODC	X=3-1/8" ODC
G=1" WN		P=1-5/8" ODC	Y=4" SW
H=1-1/8" ODC		Q=2" FPT	Z=None
I=1-1/4" FPT		R=2" SW	

700S SERIES GAS-POWERED CHECK VALVES

Includes
700AXS 700BXS 700JRS 700XS



700BXS	F	-Z	Z
Base Valve Model			
REFRIGERANT (BLANK) = Ammonia F = Halocarbon			
(PLACE HOLDER)			
FLANGES			
A=1/2" FPT	J=1-1/4" SW	S=2" WN	
B=1/2" SW	K=1-1/4" WN	T=2-1/8" ODC	
C=3/4" FPT	L=1-1/2" FPT	U=3" FPT	
D=3/4" SW	M=1-1/2" SW	V=3" SW	
E=1" FPT	N=1-1/2" WN	W=3" WN	
F=1" SW	O=1-3/8" ODC	X=3-1/8" ODC	
G=1" WN	P=1-5/8" ODC	Z=None	
H=1-1/8" ODC	Q=2" FPT		
I=1-1/4" FPT	R=2" SW		

700T SERIES THREE-WAY CHECK VALVES

Includes
700XT 700AXT 700BXT



700AXT	-Z	R
Base Valve Model		
(PLACE HOLDER)		
FLANGES		
A=1/2" FPT	J=1-1/4" SW	S=2" WN
B=1/2" SW	K=1-1/4" WN	T=2-1/8" ODC
C=3/4" FPT	L=1-1/2" FPT	U=3" FPT
D=3/4" SW	M=1-1/2" SW	V=3" SW
E=1" FPT	N=1-1/2" WN	W=3" WN
F=1" SW	O=1-3/8" ODC	X=3-1/8" ODC
G=1" WN	P=1-5/8" ODC	Z=None
H=1-1/8" ODC	Q=2" FPT	
I=1-1/4" FPT	R=2" SW	

700H SERIES PILOT-OPERATED VALVES

Includes
700JRH 700XH 700AXH 700BXH



700AXH	F	-Z	B	D	M	A
Base Valve Model						
REFRIGERANT TYPE (BLANK) = Ammonia F = Halocarbon						
(PLACE HOLDER)						
SPRING						
B = 705-1L	Q = 705A-20L					
C = 705-5L	R = 705A-30L					
D = 705-10L	S = 705A-60L					
E = 705-20L	T = 705A-110L					
F = 705-35L	A3 = 705B-3L					
G = 705-35R	A4 = 705B-10L					
I = 705-60L	A6 = 705B-30L					
J = 705-60R	A7 = 705B-60L					
O = 705A-2L	A8 = 705B-100L					
P = 705A-10L	A9 = 705B-160L					
METERING PLUG						
A = "Zero"	F = #8	K = #30				
B = #1	G = #10	L = #45				
C = #2	H = #15	M = #60				
D = #3	I = #20	Z9 = Special				
E = #5	J = #25					
FLANGES						
A=1/2" FPT	J=1-1/4" SW	R=2" SW				
B=1/2" SW	K=1-1/4" WN	S=2" WN				
C=3/4" FPT	L=1-1/2" FPT	T=2-1/8" ODC				
D=3/4" SW	M=1-1/2" SW	U=3" FPT				
E=1" FPT	N=1-1/2" WN	V=3" SW				
F=1" SW	O=1-3/8" ODC	W=3" WN				
G=1" WN	P=1-5/8" ODC	X=3-1/8" ODC				
H=1-1/8" ODC	Q=2" FPT	Z=None				
I=1-1/4" FPT						
STRAINER						
A = Strainer Included						
Z = No Strainer						

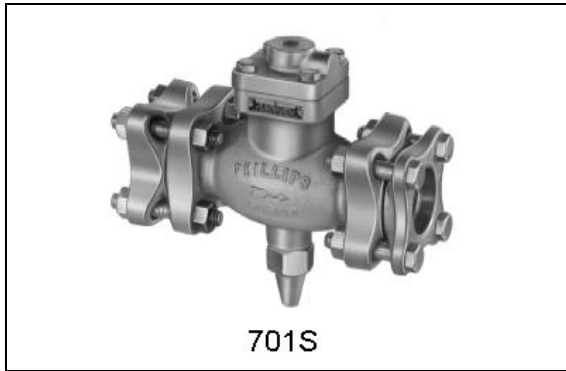
701S SERIES PILOT-OPERATED VALVES

Includes

701JRS
701BS

701S
701BXS

701AS



701S

701AS	F	-V	P	A1	R	A
Base Valve Model						
REFRIGERANT TYPE (BLANK) = Ammonia F = Halocarbon						
ORIFICE						
P = 3/8"	W = 7/8"					
T = 9/16"	X = 1-1/4"					
U = 5/8"	Z = 1-9/16"					
V = 23/32"						
SPRING						
B = 705-1L	Q = 705A-20L					
C = 705-5L	R = 705A-30L					
D = 705-10L	S = 705A-60L					
E = 705-20L	T = 705A-110L					
F = 705-35L	V = 705A-165L					
G = 705-35R	A3 = 705B-3L					
I = 705-60L	A4 = 705B-10L					
J = 705-60R	A6 = 705B-30L					
K = 705-90L	A7 = 705B-60L					
O = 705A-2L	A8 = 705B-100L					
P = 705A-10L	A9 = 705B-160L					
METERING PLUG						
M = 60	T = 445.32	Z9 = Special				
N = 230.25	U = 445.38	A2 = 845.40				
O = 245.25	V = 445.43	A3 = 845.50				
P = 245.32	W = 445.50	A4 = 1045.50				
Q = 245.50	X = 645.50	A6 = 245.38				
R = 430.25	Y = 845.25					
S = 445.25	A1 = 845.32					
FLANGES						
A=1/2" FPT	J=1-1/4" SW	R=2" SW				
B=1/2" SW	K=1-1/4" WN	S=2" WN				
C=3/4" FPT	L=1-1/2" FPT	T=2-1/8" ODC				
D=3/4" SW	M=1-1/2" SW	U=3" FPT				
E=1" FPT	N=1-1/2" WN	V=3" SW				
F=1" SW	O=1-3/8" ODC	W=3" WN				
G=1" WN	P=1-5/8" ODC	X=3-1/8" ODC				
H=1-1/8" ODC	Q=2" FPT	Z=None				
I=1-1/4" FPT						
STRAINER						
A = Strainer Included						
Z = No Strainer						

3000 SERIES THREE-WAY SOLENOID VALVES

Includes

3000
3000AN

3000A
3000N

3000B



3000N

3000AN	-120
Base Valve Model	
COIL VOLTAGE 120 = 120 Volt/60 Hz Coil 240 = 240 Volt/60 Hz Coil	

700P SERIES INTERRUPTING VALVES

Includes

700AP

700BP



700BP	-Z	V
Base Valve Model		
(PLACE HOLDER)		
FLANGES		
A=1/2" FPT	J=1-1/4" SW	S=2" WN
B=1/2" SW	K=1-1/4" WN	T=2-1/8" ODC
C=3/4" FPT	L=1-1/2" FPT	U=3" FPT
D=3/4" SW	M=1-1/2" SW	V=3" SW
E=1" FPT	N=1-1/2" WN	W=3" WN
F=1" SW	O=1-3/8" ODC	X=3-1/8" ODC
G=1" WN	P=1-5/8" ODC	Z=None
H=1-1/8" ODC	Q=2" FPT	
I=1-1/4" FPT	R=2" SW	

2000 SERIES INJECTORS

Includes

2020SL	2075WCB	2100SL
2100SLD	2100WCB	2100WCBA
2125WA	2150WA	2250WA



2100SLD		-B	T	E
Base Valve Model				
NOZZLE				
A=#1	M=#54	Y=#46		
B=#7	N=#56	Z=None		
C=#16	O=#59	Z9=Special		
D=#23	P=#64	A1=#47		
E=#29	Q=#67	A2=#70		
F=#31	R=3/16"	A3=11/64"		
G=#36	S=7/32"	A4=9/64"		
H=#40	T=1/4"	A5=11/32"		
I=#44	U=9/32"	A6=15/32"		
J=#48	V=5/16"	A7=13/32"		
K=#50	W=3/8"			
L=#52	X=7/16"			
THROAT/DISTRIBUTOR				
A=3/16"	M=6-3-8	X=11-8-12		
B=1/4"	N=11-6-7	Y=11-8-11		
C=5/16"	O=11-6-8	Z=None		
D=3/8"	P=11-6-9	Z9=Special		
E=1/2"	Q=11-8-5	A1=13-8-9		
F=5/8"	R=11-8-6	A2=7-4-8		
G=3/4"	S=11-8-7	A3=7-5-4		
H=1"	T=13-8-8	A4=11-8-4		
I=1-1/4"	U=11-8-9	A5=13-8-12		
J=1-1/2"	V=13-8-10			
K=1-3/4"	W=13-8-11			
INLET				
A=3/8" FPT	D=1" FPT	G=1-1/8" ODC		
B=1/2" FPT	E=5/8" ODC	J=1" SW		
C=3/4" FPT	F=7/8" ODC	K=3/8" ODC		

1100 SERIES LEVEL EYES

Includes

1100	1100A	1100C
1100L	1100LC	1100S
1100LS	1100AT	1100T
1100V		



1100	-R	NX	T
Level Eye Housing			
LENS			
(Blank) = Clear Lens			
R = Reflex Lens			
FROST SHIELD			
(Blank) = No Frost Shield			
N = Standard Length (1-1/2")			
NX = Extended Length (2-1/2")			
GASKET MATERIAL			
(Blank) = Standard Neoprene			
B = Buna-N			
T = PTFE			

ALWAYS CHECK THE VALVE NAMEPLATE FOR THE COMPLETE VALVE MODEL AND SERIAL NUMBER

H. A. Phillips & Co.
 770 Enterprise Avenue
 DeKalb, IL 60115 U.S.A.
 Phone: (630) 377-0050
 Fax: (630) 377-2706

